

AKSA Power Generation has been producing industrial generator sets with an innovative compact design and excellence in quality for over 30 years. AKSA has been providing reliable power through three main production plants and over 15 branch offices worldwide.



General Characteristics

Model Name	AD750-6	Frequency / PF	60Hz, 1800 rpm, 0.8pf
Engine Make & Model	Doosan DP180LB	Alternator Make	Stamford
Control Panel Model	DSE 7320	Base Frame / Enclosure	AKSA MS80 / MS85

Genset Rating – 60Hz, 1800rpm, 0.8pf

Engine	Alternator	Voltage	Standby Power	Prime Power	Standby Current
DP180LB	HCI544E (Wnd-311)	480 / 277V	750kVA	685kVA	902A
	HCI544F (Wnd-14)	380 / 222V	750kVA	685kVA	1140A
	HCI544E (Wnd-311)	220 / 127V	750kVA	685kVA	1968A
	HCI544F (Wnd-311)	208 / 120V	750kVA	685kVA	2082A

Stand-by Power (Maximum): Power available at variable load in the event of main power network failure. No over load is permitted.
 Prime Power: Power available at variable load in lieu of a main power network. Overload of 10% is permitted for 1 hour in every 12 hours of operation.
 The above ratings represent the engine performance capabilities to conditions specified in accordance with ISO 8528/5 & ISO3046.
Derating may be required for conditions outside of the test conditions.

Codes & Standards

The Generator set is designed and manufactured in a facility certified to **ISO9001** standards.

The Generator set is designed and manufactured in a facility certified to **ISO14001:2015** standards.

AKSA Power Generation provides **single source responsibility** for the generator set & accessories.

The generator set, with its components, are **prototype tested** and **production tested**



*Manufacturer reserves the right to make changes in model, technical specifications, color, equipment and accessories without prior notice.



Engine Data

Manufacturer	Doosan
Model	DP180LB
Displacement & Cylinders	18.272 L / 10 Cylinders
Engine Speed	1800rpm
Engine Standby Power	661 Kw
Engine Prime Power	601 kW
Aspiration	Turbocharged&Intercooled
Compression Ratio	15: 1
Bore / Stroke	128 mm / 142 mm
Break Mean Effective Pressure	2.41 Mpa
Mean Piston Speed	8.5 m/s
Over Speed Limit	1980 rpm
Friction Power	55 kW
Dry Weight – w/fan	1250 kg
Sound Pressure at Rated Power	101.03 dB(A)

Lubrication System

Oil Capacity, Max	34 L
Oil Capacity, Min	23 L
Max Oil Temp	120 °C
Min Oil Pressure	250 kPa

Air Intake System

Max Intake Air Restriction	2.16 kPa – Clean Element
Max Intake Air Restriction	6.23 kPa – Dirty Element
Max Static Pressure After Rad	0.125 kPa

Electric System

Engine Cranking Motor	24V
Engine Battery Charge System	Negative Ground
Battery Qty, Rating, CCA	2 x 120Ah

Cooling System

Cooling Fan	Blower Type, 7 Blades
Pressure Cap Setting	49 kPa
Coolant Capacity	91 L
Max Water Temperature	103 °C
Thermostat Range	71– 85 °C

Exhaust System

Max Allowable Back Pressure	5.9 kPa
-----------------------------	---------

Fuel System

Injector Pump Type	Bosch In-line
Fuel Feed Pump Capacity	630
Max Fuel Inlet Restriction	10 kPa
Max Fuel Return Restriction	60 kPa

Fuel Consumption

Standby Power (110%)	165.3 L/h
Prime Power (100%)	150.7 L/h
Prime Power (75%)	114.2 L/h
Prime Power (50%)	77.7 L/h
Prime Power (25%)	41.2 L/h

*Manufacturer reserves the right to make changes in model, technical specifications, color, equipment and accessories without prior notice.



Alternator Data

Manufacturer	Stamford
Standards	BS EN 60034
Control System	Self Excited
A.V.R.	AS440
Voltage Regulation	± 1 %
Insulation System	Class H
Protection	IP23
Rated Power Factor	0.8
Stator Winding	Double Layer Concentric
Winding Pitch	Two Thirds
Winding Leads	12
Telephone Interference	THF < 2 %
Waveform Distortion	No Load < 1.5 %
Maximum Over speed	2250 rev/min

Controller Data

Manufacturer	DSE
Model	7320
Type	Auto Mains Failure Control

Controller Features & Benefits

- Microprocessor controlled
- License free PC Software
- IP65 rating offers increased resistance to water ingress
- Modules can be integrated to building management systems
- Real time clock provides accurate event log
- Four line back-lit LCD text display
- Five key menu navigation
- Front panel editing with PIN protection
- Support up to three remote display modules
- Configurable timers and alarms

Battery Charger & Electrical System Data

Manufacturer	AKSA
Model	SmartGen BAC06A
Input Voltage	100V ~ 250V AC
Output Voltage / Current	27,6V DC / 3A

- Multiple date and timer scheduler
- Integral PLC editor
- 'Protections disabled' feature
- kW & kVAr protection
- Reverse power (kW & kVAr) protection
- Power monitoring (kWh, kVAr, kVAh, kVArh)

Jacket Water Heater Data

Manufacturer	AKSA
Model	HTR3000
Input Voltage	Based on Gen Voltage
Power	3000W

- Load switching (load shedding and dummy load outputs)
- Unbalanced load protection
- Independent Earth Fault trip
- Fully configurable via DSE Configuration Suite PC Software
- SCADA monitoring via DSE Configuration Suite PC Software

*Manufacturer reserves the right to make changes in model, technical specifications, color, equipment and accessories without prior notice.

Enclosure Features

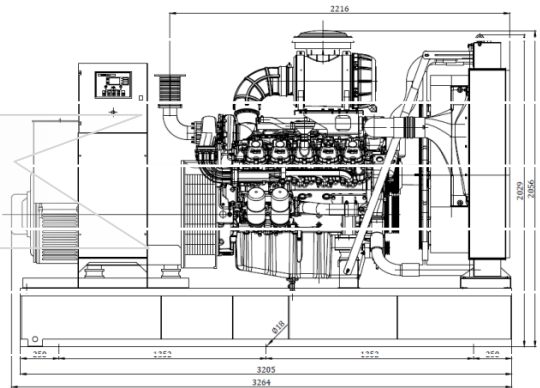
- ✓ Heavy Duty Steel Structure
- ✓ E-Stop on Enclosure
- ✓ Control Panel Eliminated from Engine Vibrations
- ✓ Control Panel Window
- ✓ Plastic Covered Corrosion Resistant Locks & Hinges

Enclosure Features

- ✓ Internally Mounted Exhaust System with Rain Cap
- ✓ Coolant Fill Cap
- ✓ Top Lifting Feature
- ✓ Base Fuel Tank
- ✓ Easy Access for Maintenance

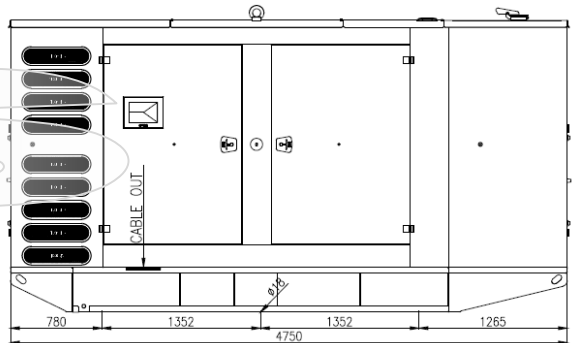
Open Skid Gen-Set Dimensions

Length	3264 mm
Width	1550 mm
Height	2056 mm
Dry Weight	4000 kg
Tank Capacity	850 L



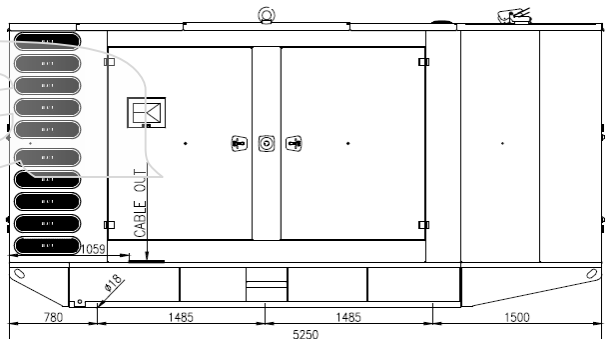
Enclosed Gen-Set Dimensions @ 480/380V Conf.

Length	4750 mm
Width	1606 mm
Height	2615 mm
Dry Weight	4940 kg
Tank Capacity	850 L
Sound Pressure @ 7 meters	83 dB(A)



Enclosed Gen-Set Dimensions @ 208/220V Conf.

Length	5250 mm
Width	1605 mm
Height	2656 mm
Dry Weight	5960 kg
Tank Capacity	1000 L
Sound Pressure @ 7 meters	TBD



*Manufacturer reserves the right to make changes in model, technical specifications, color, equipment and accessories without prior notice.



Standard Features & Accessories

- ✓ Heavy Duty Steel Base Frame
- ✓ Integral Fuel Tank
- ✓ Fuel Drain Plug
- ✓ Control Panel Window
- ✓ Engine Jacket Water Heater
- ✓ Battery and Battery Rack
- ✓ Battery Charger
- ✓ Radiator fill cap on enclosure
- ✓ Anti Vibration Pads between Engine/Alternator & Base Frame
- ✓ Residential Grade Silencer Inside Enclosure
- ✓ Industrial Grade Silencer Set for Open Skid Sets
- ✓ Sound Absorb Foam for Enclosure
- ✓ Air Inlet & Outlet Rodent Guards
- ✓ Oil Drain Valve
- ✓ Coolant Drain Valve
- ✓ Flex Fuel Lines
- ✓ Air Filter Restriction Gauge
- ✓ Engine Manifold Cover
- ✓ Turbocharger Cover
- ✓ Protection Covers for Rotating Parts
- ✓ Exhaust Insulation Cover
- ✓ Control Panel Window
- ✓ Operations Manual
- ✓ 24 Months / 2000 hours Limited Standby Warranty

Optional Accessories

- Main Line CB (3 / 4 Poles)
- PMG
- Voltage Regulation $\pm 0.5\%$ w/MX321 AVR
- Anti-condensation Heater
- Double Wall Base Fuel Tank
- Fuel Level Display & Alarm on Controller
- Low / High Fuel Alarms
- Fuel Water Separator Filter
- Auto Fuel Fill Control System
- Oil Temperature Display on Controller
- Manual Speed Adjust Rheostat
- Manual Voltage Adjust Rheostat
- Remote Annunciator Panel
- Remote Control & Monitoring Panel
- Advanced SMS Messaging
- Control Panel Heater
- Battery Disconnect Switch
- Battery Heater
- 10A Battery Charger
- Battery Charge Ammeter
- Tool Kit for Maintenance
- Power Plug Outlet Kit
- Automatic Transfer Panel (ATS) – Contactor Design
- Automatic Transfer Panel (ATS) – Changeover Design

*Manufacturer reserves the right to make changes in model, technical specifications, color, equipment and accessories without prior notice.

Aksa Power Generation USA
 371 Exchange Street, West Monroe, LA 71292
 T: + 1 318 8558377
 sales@aksausa.com



**Aksa Power Generation
 USA & LATAM**
 a member of
KAZANCI HOLDING

Aksa Power Generation LATAM
 12320 NW 116th Street, Miami, FL 33178
 T: + 1 786 4936857
 sales@aksausa.com