

AKSA Power Generation has been producing industrial generator sets with an innovative compact design and excellence in quality for over 30 years. AKSA has been providing reliable power through three main production plants and over 15 branch offices worldwide.



General Characteristics

Model Name	AC625-6	Frequency / PF	60Hz, 1800 rpm, 0.8pf
Engine Make & Model	Cummins QXS15G9	Alternator Make	Stamford
Control Panel Model	DSE 7320	Base Frame / Enclosure	AKSA MS80 / MS85

Genset Rating – 60Hz, 1800rpm, 0.8pf

Engine	Alternator	Voltage	Standby Power	Prime Power	Standby Current
QXS15G9	HCI544C (Wnd-311)	480 / 277V	625kVA	563kVA	751A
	HCI544D (Wnd-14)	380 / 222V	625kVA	563kVA	999A
	HCI544D (Wnd-311)	220 / 127V	625kVA	563kVA	1640A
	HCI544E (Wnd-311)	208 / 120V	625kVA	563kVA	1734A

Stand-by Power (Maximum): Power available at variable load in the event of main power network failure. No over load is permitted.
 Prime Power: Power available at variable load in lieu of a main power network. Overload of 10% is permitted for 1 hour in every 12 hours of operation.
 The above ratings represent the engine performance capabilities to conditions specified in accordance with ISO 8528/5 & ISO3046.
Derating may be required for conditions outside of the test conditions.

Codes & Standards

The Generator set is designed and manufactured in a facility certified to **ISO9001** standards.

The Generator set is designed and manufactured in a facility certified to **ISO14001:2015** standards.

AKSA Power Generation provides **single source responsibility** for the generator set & accessories.

The generator set, with its components, are **prototype tested** and **production tested**



*Manufacturer reserves the right to make changes in model, technical specifications, color, equipment and accessories without prior notice.



Engine Data

Manufacturer	Cummins
Model	QSX15G9
Displacement & Cylinders	15 L / 6 Cylinders
Engine Speed	1800rpm
Engine Standby Power	563 Kw
Engine Prime Power	507 kW
Aspiration	Turbocharged and Charge Air Cooled
Compression Ratio	17 : 1
Bore / Stroke	137 mm / 169 mm
Break Mean Effective Pressure	2508 kPa
Piston Speed	10.1 m/s
Friction Power	52 kWm
Radiated Heat to Ambient	44 kWm
Steady State Stability	0.25 %
Dry Weight – fan to flywheel	1370 kg
Exhaust Noise 1m @Rated Power	125.6 dB(A)

Electric System

Engine Cranking Motor	24V
Engine Battery Charge System	Negative Ground
Battery Qty, Rating, CCA	2 x 120Ah

Cooling System

Coolant Capacity (Engine Only)	24 L
Minimum Pressure Cap	70 kPa
Max Coolant Friction Head External to Engine	69 kPa
Max Top Tank Temperature	110 °C
Thermostat Range	82– 93 °C

Exhaust System

Exhaust Gas Temp	503 °C
Max Allowable Back Pressure	51 mmHg
Exhaust Gas Flow	3845 cfm

Fuel System

Type Injection System	Cummins HPI-TP
System Supply Flow	424 L/h
System Return Flow	326 L/h
Max Allowable Inlet Fuel Temp	71 °C

Air Intake System

Intake Air Flow	1550 cfm
Max Intake Air Restriction	635 mmH2O Dirty Element 381 mmH2O Clean Element
Air Filter Type	Dry Paper Element

Fuel Consumption

Standby Power (110%)	138.8 liter / hour
Prime Power (100%)	117 liter / hour
Prime Power (75%)	89.3 liter / hour
Prime Power (50%)	63.6 liter / hour
Prime Power (25%)	36.3 liter / hour

Lubrication System

Total System Capacity	91 L
Sump Capacity Max / Min	83 L / 72 L
Max Oil Temp	121 °C
Oil Pressure at Rated Speed	242 – 276 kPa

*Manufacturer reserves the right to make changes in model, technical specifications, color, equipment and accessories without prior notice.



Alternator Data

Manufacturer	Stamford
Standards	BS EN 60034
Control System	Self Excited
A.V.R.	AS440
Voltage Regulation	± 1 %
Insulation System	Class H
Protection	IP23
Rated Power Factor	0.8
Stator Winding	Double Layer Concentric
Winding Pitch	Two Thirds
Winding Leads	12
Telephone Interference	THF < 2 %
Waveform Distortion	No Load < 1.5 %
Maximum Over speed	2250 rev/min

Controller Data

Manufacturer	DSE
Model	7320
Type	Auto Mains Failure Control

Controller Features & Benefits

- Microprocessor controlled
- License free PC Software
- IP65 rating offers increased resistance to water ingress
- Modules can be integrated to building management systems
- Real time clock provides accurate event log
- Four line back-lit LCD text display
- Five key menu navigation
- Front panel editing with PIN protection
- Support up to three remote display modules
- Configurable timers and alarms
- Multiple date and timer scheduler

Battery Charger & Electrical System Data

Manufacturer	AKSA
Model	SmartGen BAC06A
Input Voltage	100V ~ 250V AC
Output Voltage / Current	27,6V DC / 3A

- Integral PLC editor
- 'Protections disabled' feature
- kW & kVAr protection
- Reverse power (kW & kVAr) protection
- Power monitoring (kWh, kVAr, kVAh, kVArh)

Jacket Water Heater Data

Manufacturer	AKSA
Model	HTR4000
Input Voltage	Based on Genset Voltage
Power	4000W

- Load switching (load shedding and dummy load outputs)
- Unbalanced load protection
- Independent Earth Fault trip
- Fully configurable via DSE Configuration Suite PC Software
- SCADA monitoring via DSE Configuration Suite PC Software

*Manufacturer reserves the right to make changes in model, technical specifications, color, equipment and accessories without prior notice.

Enclosure Features

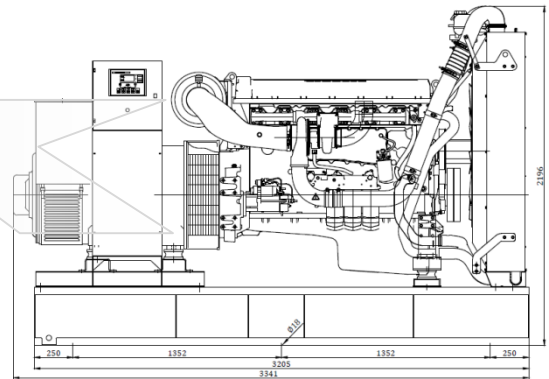
- ✓ Heavy Duty Steel Structure
- ✓ E-Stop on Enclosure
- ✓ Control Panel Eliminated from Engine Vibrations
- ✓ Control Panel Window
- ✓ Plastic Covered Corrosion Resistant Locks & Hinges

Enclosure Features

- ✓ Internally Mounted Exhaust System with Rain Cap
- ✓ Coolant Fill Cap
- ✓ Top Lifting Feature
- ✓ Base Fuel Tank
- ✓ Easy Access for Maintenance

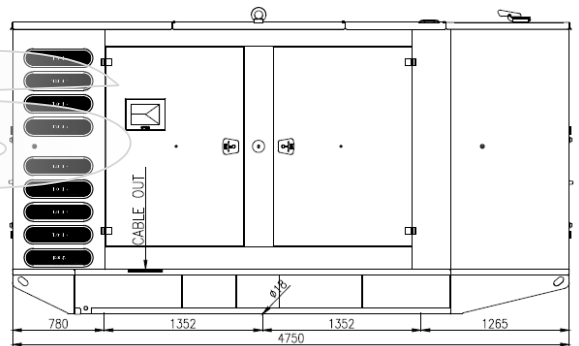
Open Skid Gen-Set Dimensions

Length	3341 mm
Width	1550 mm
Height	2196 mm
Dry Weight	3240 kg
Tank Capacity	850 L



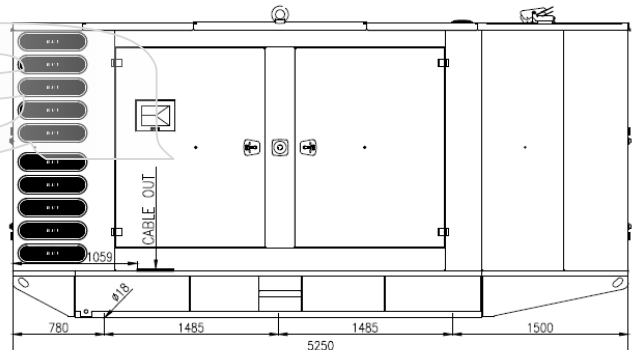
Enclosed Gen-Set Dimensions @480&380V Conf.

Length	4750 mm
Width	1606 mm
Height	2615 mm
Dry Weight	4835 kg
Tank Capacity	850 L
Sound Pressure @ 7 meters	78 dB(A)



Enclosed Gen-Set Dimensions @208&220V Conf.

Length	5250 mm
Width	1605 mm
Height	2656 mm
Dry Weight	5400 kg
Tank Capacity	1000 L
Sound Pressure @ 7 meters	TBD



*Manufacturer reserves the right to make changes in model, technical specifications, color, equipment and accessories without prior notice.



Standard Features & Accessories

- ✓ Heavy Duty Steel Base Frame
- ✓ Integral Fuel Tank
- ✓ Fuel Drain Plug
- ✓ Control Panel Window
- ✓ Engine Jacket Water Heater
- ✓ Battery and Battery Rack
- ✓ Battery Charger
- ✓ Radiator fill cap on enclosure
- ✓ Anti Vibration Pads between Engine/Alternator & Base Frame
- ✓ Residential Grade Silencer Inside Enclosure
- ✓ Industrial Grade Silencer Set for Open Skid Sets
- ✓ Sound Absorb Foam for Enclosure
- ✓ Air Inlet & Outlet Rodent Guards
- ✓ Oil Drain Valve
- ✓ Coolant Drain Valve
- ✓ Flex Fuel Lines
- ✓ Air Filter Restriction Gauge
- ✓ Engine Manifold Cover
- ✓ Turbocharger Cover
- ✓ Protection Covers for Rotating Parts
- ✓ Exhaust Insulation Cover
- ✓ Control Panel Window
- ✓ Operations Manual
- ✓ 24 Months / 2000 hours Limited Standby Warranty

Optional Accessories

- Main Line CB (3 / 4 Poles)
- PMG
- Voltage Regulation $\pm 0.5\%$ w/MX321 AVR
- Anti-condensation Heater
- Stand Alone Bulk Fuel Tank
- Fuel Level Display & Alarm on Controller
- Low / High Fuel Alarms
- Fuel Water Separator Filter
- Auto Fuel Fill Control System
- Oil Temperature Display on Controller
- Manual Speed Adjust Rheostat
- Manual Voltage Adjust Rheostat
- Remote Annunciator Panel
- Remote Control & Monitoring Panel
- Advanced SMS Messaging
- Control Panel Heater
- Battery Disconnect Switch
- Battery Heater
- 10A Battery Charger
- Battery Charge Ammeter
- Tool Kit for Maintenance
- Power Plug Outlet Kit
- Automatic Transfer Panel (ATS) – Contactor Design
- Automatic Transfer Panel (ATS) – Changeover Design

*Manufacturer reserves the right to make changes in model, technical specifications, color, equipment and accessories without prior notice.

Aksa Power Generation USA
 371 Exchange Street, West Monroe, LA 71292
 T: + 1 318 8558377
 sales@aksausa.com

**Aksa Power Generation
 USA & LATAM**
 a member of
KAZANCI HOLDING

Aksa Power Generation LATAM
 12320 NW 116th Street, Miami, FL 33178
 T: + 1 786 4936857
 sales@aksausa.com