

AKSA Power Generation has been producing industrial generator sets with an innovative compact design and excellence in quality for over 30 years. AKSA has been providing reliable power through three main production plants and over 15 branch offices worldwide.



General Characteristics

Model Name	APD1265C-6	Frequency / PF	60Hz, 1800 rpm, 0.8pf
Engine Make & Model	Cummins KTA38G4	Alternator Make	Stamford
Control Panel Model	DSE 7320	Base Frame / Enclosure	AKSA ASM9 / AK96

Genset Rating – 60Hz, 1800rpm, 0.8pf

Engine	Alternator	Voltage	Standby Power	Prime Power	Standby Current
KTA38G4	HCI634J (Wnd-311)	480 / 277V	1265kVA	1150kVA	1521A
	HCI634K (Wnd-13)	380 / 222V	1265kVA	1150kVA	1922A
	HCI634J (Wnd-311)	220 / 127V	1265kVA	1150kVA	3319A
	HCI634J (Wnd-311)	208 / 120V	1250kVA	1150kVA	3469A

Stand-by Power (Maximum): Power available at variable load in the event of main power network failure. No over load is permitted.
 Prime Power: Power available at variable load in lieu of a main power network. Overload of 10% is permitted for 1 hour in every 12 hours of operation.
 The above ratings represent the engine performance capabilities to conditions specified in accordance with ISO 8528/5 & ISO3046.
Derating may be required for conditions outside of the test conditions.

Codes & Standards

The Generator set is designed and manufactured in a facility certified to **ISO9001** standards.

The Generator set is designed and manufactured in a facility certified to **ISO14001:2015** standards.

AKSA Power Generation provides **single source responsibility** for the generator set & accessories.

The generator set, with its components, are **prototype tested** and **production tested**



*Manufacturer reserves the right to make changes in model, technical specifications, color, equipment and accessories without prior notice.



Engine Data

Manufacturer	Cummins
Model	KTA38G4
Displacement & Cylinders	38L / 12 Cylinders
Engine Speed	1800rpm
Engine Standby Power	1112 kW / 1490 HP
Engine Prime Power	1007 kW / 1350 HP
Aspiration	Turbocharged, Aftercooled
Compression Ratio	13.9 : 1
Bore / Stroke	159 mm / 159 mm
BMEP	1953 Kpa
Piston Speed	9.5 m/s
Friction Horsepower	127 Kw
Engine Water Flow	390 L/s
Intake Air Flow	1435 litre/sec.
Exhaust Gas Flow	3967 litre/sec.
Exhaust Gas Temperature	524 °C

Electric System

Engine Cranking Motor	24V
Engine Battery Charge System	35A, Negative Ground
Battery Qty, Rating, CCA	4 x 150Ah

Cooling System

Coolant Capacity	252 L
Max Coolant Friction Head External to Engine -1500rpm	68.9 kPa
Thermostat Range	82 – 93 °C
Max Allowable Coolant Temp	96.1 °C
Max Top Tank Temperature	104 °C

Exhaust System

Max Back Pressure	10.2 kPa
Standard Exhaust Pipe Size	152 mm
Manifold Insulation	Not Acceptable
Turbocharger Insulation	Not Acceptable

Fuel System

Type of Injection	Cummins PT
Max Restriction to Fuel Pump	13.55 kPa (Clean Filter) 33.86 kPa (Dirty Filter)
Max Fuel Pump Supply	NA
Minimum Allowable Fuel Tank Vent Capability	425 L/h

Air Intake System

Max Intake Air Restriction	3.73 kPa (Clean Element)
Min Dirt Holding Capacity	53 g/L/s
Intake Air Alarm Temp	82 °C

Fuel Consumption

Standby Power (110%)	270 L/h
Prime Power (100%)	245 L/h
Prime Power (75%)	190 L/h
Prime Power (50%)	136 L/h
Prime Power (25%)	81 L/h

Lubrication System

Max Oil Temperature	121 °C
Oil Pan Capacity	151.4 L
Oil Pressure	310 – 448 kPa
Total System Capacity	170.3 L

*Manufacturer reserves the right to make changes in model, technical specifications, color, equipment and accessories without prior notice.



Alternator Data

Manufacturer	Stamford
Standards	BS EN 60034
Control System	Self Excited
A.V.R.	MX321
Voltage Regulation	± 0.5 %
Insulation System	Class H
Protection	IP23
Rated Power Factor	0.8
Stator Winding	Double Layer Concentric
Winding Pitch	Two Thirds
Winding Leads	12
Telephone Interference	THF < 2 %
Waveform Distortion	No Load < 1.5 %
Maximum Over speed	2250 rev/min

Controller Data

Manufacturer	DSE
Model	7320
Type	Auto Mains Failure Control

Controller Features & Benefits

- Microprocessor controlled
- License free PC Software
- IP65 rating offers increased resistance to water ingress
- Modules can be integrated to building management systems
- Real time clock provides accurate event log
- Four line back-lit LCD text display
- Five key menu navigation
- Front panel editing with PIN protection
- Support up to three remote display modules
- Configurable timers and alarms
- Multiple date and timer scheduler
- Integral PLC editor
- 'Protections disabled' feature
- kW & kVAr protection
- Reverse power (kW & kVAr) protection
- Power monitoring (kWh, kVAr, kVAh, kVArh)
- Load switching (load shedding and dummy load outputs)
- Unbalanced load protection
- Independent Earth Fault trip
- Fully configurable via DSE Configuration Suite PC Software
- SCADA monitoring via DSE Configuration Suite PC Software

Battery Charger & Electrical System Data

Manufacturer	AKSA
Model	SmartGen BAC06A
Input Voltage	100V ~ 250V AC
Output Voltage / Current	27,6V DC / 3A

Jacket Water Heater Data

Manufacturer	AKSA
Model	HTR4000W 100-120F
Input Voltage	Based on Genset Voltage
Power	4000W

*Manufacturer reserves the right to make changes in model, technical specifications, color, equipment and accessories without prior notice.

Enclosure Features

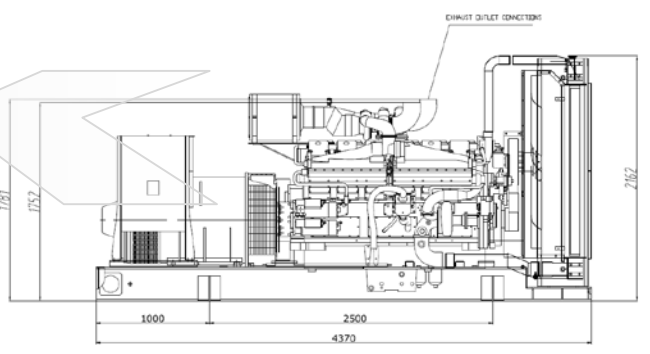
- ✓ Heavy Duty Steel Structure
- ✓ E-Stop on Enclosure
- ✓ Control Panel Eliminated from Engine Vibrations
- ✓ Control Panel Window
- ✓ Plastic Covered Corrosion Resistant Locks & Hinges

Enclosure Features

- ✓ Internally Mounted Exhaust System with Rain Cap
- ✓ Coolant Fill Cap
- ✓ Base Frame Lifting Hooks
- ✓ Base Fuel Tank
- ✓ Easy Access for Maintenance

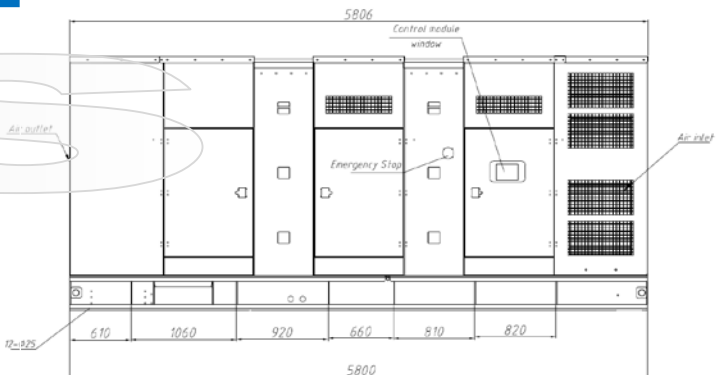
Open Skid Gen-Set Dimensions

Length	4370 mm
Width	2060 mm
Height	2162 mm
Dry Weight	7860 kg
Tank Capacity	900 L



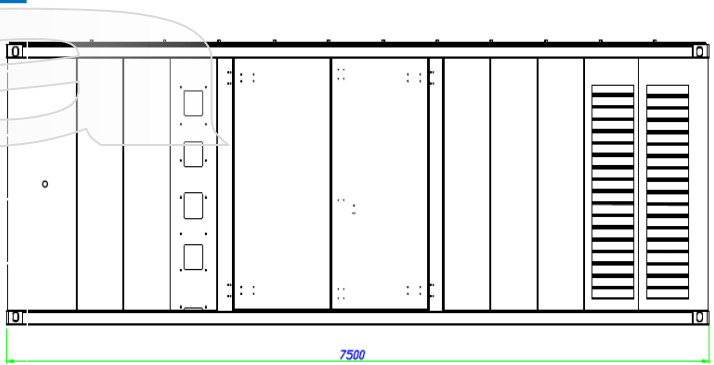
Enclosed Gen-Set Dimensions @480&380v Conf.

Length	5800 mm
Width	2272 mm
Height	2554 mm
Dry Weight	9510 kg
Tank Capacity	630 L
Sound Pressure @ 7 meters	83 dB(A)



Enclosed Gen-Set Dimensions @208&220v Conf.

Length	7500 mm
Width	2300 mm
Height	2495 mm
Dry Weight	11000 kg
Tank Capacity	1500 L
Sound Pressure @ 7 meters	TBD



*Manufacturer reserves the right to make changes in model, technical specifications, color, equipment and accessories without prior notice.

**Standard Features & Accessories**

- ✓ Heavy Duty Steel Base Frame
- ✓ Integral Fuel Tank
- ✓ PMG w/MX321 AVR
- ✓ Engine Jacket Water Heater
- ✓ Battery and Battery Rack
- ✓ Battery Charger
- ✓ Battery Restraint
- ✓ Anti Vibration Pads between Engine/Alternator & Base Frame
- ✓ Residential Grade Silencer Inside Enclosure
- ✓ Industrial Grade Silencer Set for Open Skid Sets
- ✓ Sound Absorb Foam for Enclosure
- ✓ Air Inlet & Outlet Rodent Guards
- ✓ Oil Drain Valve
- ✓ Coolant Drain Valve
- ✓ Flex Fuel Lines
- ✓ Air Filter Restriction Gauge
- ✓ Engine Manifold Cover
- ✓ Turbocharger Cover
- ✓ Protection Covers for Rotating Parts
- ✓ Exhaust Insulation Cover
- ✓ Control Panel Window
- ✓ Operations Manual
- ✓ 24 Months / 2000 hours Limited Standby Warranty

Optional Accessories

- Main Line CB (3 / 4 Poles)
- Anti-condensation Heater
- Stand Alone Bulk Fuel Tank
- Fuel Level Display & Alarm on Controller
- Low / High Fuel Alarms
- Fuel Water Separator Filter
- Auto Fuel Fill Control System
- Oil Temperature Display on Controller
- Manual Speed Adjust Rheostat
- Manual Voltage Adjust Rheostat
- Remote Annunciator Panel
- Remote Control & Monitoring Panel
- Advanced SMS Messaging
- Control Panel Heater
- Battery Disconnect Switch
- Battery Heater
- 10A Battery Charger
- Battery Charge Ammeter
- Tool Kit for Maintenance
- Power Plug Outlet Kit
- Automatic Transfer Panel (ATS) – Contactor Design
- Automatic Transfer Panel (ATS) – Changeover Design

*Manufacturer reserves the right to make changes in model, technical specifications, color, equipment and accessories without prior notice.

Aksa Power Generation USA

371 Exchange Street, West Monroe, LA 71292
T: + 1 318 8558377
sales@aksausa.com

**Aksa Power Generation
USA & LATAM**

a member of

**KAZANCI HOLDING****Aksa Power Generation LATAM**

12320 NW 116th Street, Miami, FL 33178
T: + 1 786 4936857
sales@aksausa.com