

**AKSA Power Generation** has been producing industrial generator sets with an innovative compact design and excellence in quality for over 30 years. AKSA has been providing reliable power through three main production plants and over 15 branch offices worldwide.



**General Characteristics**

Model Name	<b>AC1265-6</b>	Frequency / PF	<b>60Hz, 1800 rpm, 0.8pf</b>
Engine Make & Model	<b>Cummins QST30G4</b>	Alternator Make	<b>Stamford</b>
Control Panel Model	<b>DSE 7320</b>	Base Frame / Enclosure	<b>AK96</b>

**Genset Rating – 60Hz, 1800rpm, 0.8pf**

Engine	Alternator	Voltage	Standby Power	Prime Power	Standby Current
QST30G4	HCI634J (Wnd-311)	480 / 277V	1265kVA	1150kVA	1521A
	HCI634J (Wnd-13)	380 / 222V	1265kVA	1150kVA	1922A
	HCI634J (Wnd-311)	220 / 127V	1265kVA	1150kVA	3319A
	HCI634J (Wnd-311)	208 / 120V	1250kVA	1150kVA	3469A

Stand-by Power (Maximum): Power available at variable load in the event of main power network failure. No over load is permitted.  
 Prime Power: Power available at variable load in lieu of a main power network. Overload of 10% is permitted for 1 hour in every 12 hours of operation.  
 The above ratings represent the engine performance capabilities to conditions specified in accordance with ISO 8528/5 & ISO3046.  
**Derating may be required for conditions outside of the test conditions.**

**Codes & Standards**

The Generator set is designed and manufactured in a facility certified to **ISO9001** standards.

The Generator set is designed and manufactured in a facility certified to **ISO14001:2015** standards.

**AKSA Power Generation** provides **single source responsibility** for the generator set & accessories.

The generator set, with its components, are **prototype tested** and **production tested**



\*Manufacturer reserves the right to make changes in model, technical specifications, color, equipment and accessories without prior notice.



## Engine Data

Manufacturer	Cummins
Model	QST30G4
Displacement	30.48 L / 12 Cylinders
Engine Speed	1800rpm
Engine Standby Power	1112 Kw
Engine Prime Power	1007 kW
Aspiration	Turbocharged and Low Temperature Aftercooled
Compression Ratio	14 : 1
Bore / Stroke	140 mm / 165 mm
Break Mean Effective Pressure	2427 kPa
Piston Speed	9.9 m/s
Friction Power	82 kWm
Radiated Heat to Ambient	130 kWm
Steady State Stability	0.25 %
Dry Weight – fan to flywheel	3012 kg
Exhaust Noise 1m @Rated Power	131 dBA

## Electric System

Engine Cranking Motor	24V
Engine Battery Charge System	Negative Ground
Battery Qty, Rating, CCA	2 x 150Ah

## Cooling System

Coolant Capacity (Engine Only)	79 L
Minimum Pressure Cap	69 kPa
Max Coolant Friction Head External to Engine	69 kPa
Max Top Tank Temperature	104 °C
Thermostat Range	82 – 95 °C

## Exhaust System

Exhaust Gas Temp	525 °C
Max Allowable Back Pressure	51 mmHg
Exhaust Gas Flow	3670 cfm

## Fuel System

Type Injection System	Bosh P8500 LLA
Max Fuel Flow	570 L/h
Max Return Fuel Flow	550 L/h
Max Fuel Inlet Temperature	71 °C

## Air Intake System

Intake Air Flow	2840 cfm
Max Intake Air Restriction	635mmH2O Dirty Element 381mmH2O Clean Element
Air Filter Type	Dry Paper Element

## Fuel Consumption

Standby Power (110%)	267 liter / hour
Prime Power (100%)	240 liter / hour
Prime Power (75%)	177 liter / hour
Prime Power (50%)	119 liter / hour
Prime Power (25%)	66 liter / hour

## Lubrication System

Total System Capacity	154 L
Sump Capacity Max / Min	133 L / 114 L
Max Oil Temp	121 °C
Oil Pressure at Rated Speed	310 – 386 kPa

\*Manufacturer reserves the right to make changes in model, technical specifications, color, equipment and accessories without prior notice.



## Alternator Data

Manufacturer	Stamford
Standards	BS EN 60034
Control System	PMG
A.V.R.	MX321
Voltage Regulation	± 0.5 %
Insulation System	Class H
Protection	IP23
Rated Power Factor	0.8
Stator Winding	Double Layer Concentric
Winding Pitch	Two Thirds
Winding Leads	12
Telephone Interference	THF < 2 %
Waveform Distortion	No Load < 1.5 %
Maximum Over speed	2250 rev/min

## Controller Data

Manufacturer	DSE
Model	7320
Type	Auto Mains Failure Control

## Controller Features & Benefits

- Microprocessor controlled
- License free PC Software
- IP65 rating offers increased resistance to water ingress
- Modules can be integrated to building management systems
- Real time clock provides accurate event log
- Four line back-lit LCD text display
- Five key menu navigation
- Front panel editing with PIN protection
- Support up to three remote display modules
- Configurable timers and alarms

## Battery Charger & Electrical System Data

Manufacturer	AKSA
Model	SmartGen BAC06A
Input Voltage	100V ~ 250V AC
Output Voltage / Current	27,6V DC / 3A

- Multiple date and timer scheduler
- Integral PLC editor
- 'Protections disabled' feature
- kW & kVAr protection
- Reverse power (kW & kVAr) protection
- Power monitoring (kWh, kVAr, kVAh, kVArh)

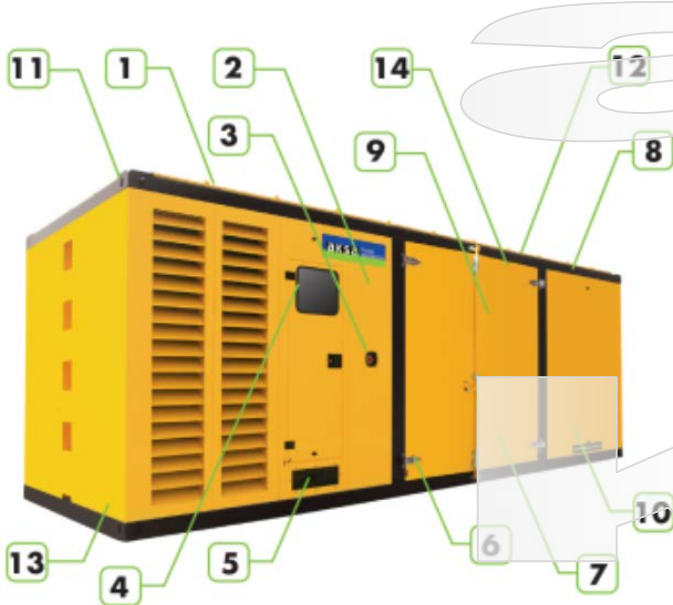
## Jacket Water Heater Data

Manufacturer	AKSA
Model	HTR4000
Input Voltage	Based on Genset Voltage
Power	2 x 4000W

- Load switching (load shedding and dummy load outputs)
- Unbalanced load protection
- Independent Earth Fault trip
- Fully configurable via DSE Configuration Suite PC Software
- SCADA monitoring via DSE Configuration Suite PC Software

\*Manufacturer reserves the right to make changes in model, technical specifications, color, equipment and accessories without prior notice.

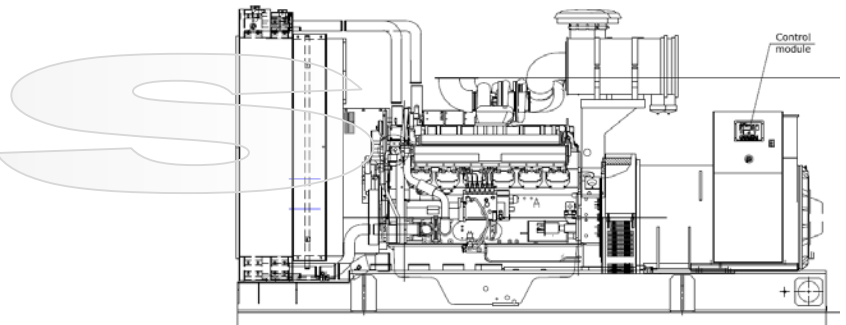
**Enclosure Features**



- ✓ Heavy Duty Steel Structure
- ✓ E-Stop on Enclosure
- ✓ Control Panel Eliminated from Engine Vibrations
- ✓ Control Panel Window
- ✓ Plastic Covered Corrosion Resistant Locks & Hinges
- ✓ Internally Mounted Exhaust System with Rain Cap
- ✓ Coolant Fill Cap
- ✓ Top Lifting Feature
- ✓ Base Fuel Tank
- ✓ Easy Access for Maintenance
- ✓ Sound Absorb High Density Foam

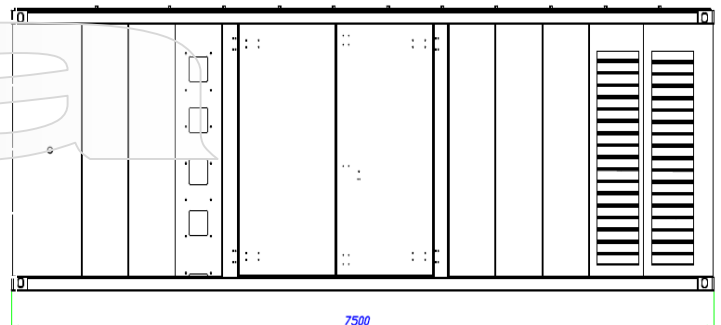
**Open Skid Gen-Set Dimensions**

Length	4250 mm
Width	1950 mm
Height	2217 mm
Dry Weight	7100 kg
Tank Capacity	950 L



**Enclosed Gen-Set Dimensions**

Length	7500 mm
Width	2300 mm
Height	2495 mm
Dry Weight	11000 kg
Tank Capacity	1500 L
Sound Pressure @ 7 meters	78 dBA



\*Manufacturer reserves the right to make changes in model, technical specifications, color, equipment and accessories without prior notice.



**Standard Features & Accessories**

- ✓ Heavy Duty Steel Base Frame
- ✓ Integral Fuel Tank
- ✓ PMG w/MX321 AVR
- ✓ Engine Jacket Water Heater
- ✓ Battery and Battery Rack
- ✓ Battery Charger
- ✓ Battery Restraint
- ✓ Anti Vibration Pads between Engine/Alternator & Base Frame
- ✓ Residential Grade Silencer Inside Enclosure
- ✓ Industrial Grade Silencer Set for Open Skid Sets
- ✓ Sound Absorb Foam for Enclosure
- ✓ Air Inlet & Outlet Rodent Guards
- ✓ Oil Drain Valve
- ✓ Coolant Drain Valve
- ✓ Flex Fuel Lines
- ✓ Air Filter Restriction Gauge
- ✓ Engine Manifold Cover
- ✓ Turbocharger Cover
- ✓ Protection Covers for Rotating Parts
- ✓ Exhaust Insulation Cover
- ✓ Control Panel Window
- ✓ Operations Manual
- ✓ 24 Months / 2000 hours Limited Standby Warranty

**Optional Accessories**

- Main Line CB (3 / 4 Poles)
- Anti-condensation Heater
- Stand Alone Bulk Fuel Tank
- Fuel Level Display & Alarm on Controller
- Low / High Fuel Alarms
- Fuel Water Separator Filter
- Auto Fuel Fill Control System
- Oil Temperature Display on Controller
- Manual Speed Adjust Rheostat
- Manual Voltage Adjust Rheostat
- Remote Annunciator Panel
- Remote Control & Monitoring Panel
- Advanced SMS Messaging
- Control Panel Heater
- Battery Disconnect Switch
- Battery Heater
- 10A Battery Charger
- Battery Charge Ammeter
- Tool Kit for Maintenance
- Power Plug Outlet Kit
- Automatic Transfer Panel (ATS) – Contactor Design
- Automatic Transfer Panel (ATS) – Changeover Design

\*Manufacturer reserves the right to make changes in model, technical specifications, color, equipment and accessories without prior notice.

**Aksa Power Generation USA**  
 371 Exchange Street, West Monroe, LA 71292  
 T: + 1 318 8558377  
 sales@aksausa.com

**Aksa Power Generation  
 USA & LATAM**  
 a member of



**KAZANCI HOLDING**

**Aksa Power Generation LATAM**  
 12320 NW 116<sup>th</sup> Street, Miami, FL 33178  
 T: + 1 786 4936857  
 sales@aksausa.com