

AKSA Power Generation has been producing industrial generator sets with an innovative compact design and excellence in quality for over 30 years. AKSA has been providing reliable power through three main production plants and over 15 branch offices worldwide.

General Characteristics

Model Name	APD-ULJ150
Engine Make	John Deere
Engine Model	6068HF285
Alternator Make	Stamford
Control Panel Make & Model	DSE 7320
Frequency & Speed	60Hz, 1800rpm
Enclosure Make & Model	AKSA AUL 51/52



Genset Rating

Engine	Alternator	Voltage	Standby Power	Power Factor	Standby Current
6068HF285	UCI274F (Wnd-311)	480 / 277V	150kW	0.8	226A
	UCI274F (Wnd-06)	240 / 120V, 1ph	150kW	1	625A
	UCI274F (Wnd-311)	208 / 120V	150kW	0.8	625A
	UCI274E (Wnd-17)	600 / 347V	150kW	0.8	180A

***EPA – Certified for Emergency Stationary Applications**

Stand-by Power (Maximum): Power available at variable load in the event of main power network failure. No over load is permitted.
 Prime Power: Power available at variable load in lieu of a main power network. Overload of 10% is permitted for 1 hour in every 12 hours of operation.
 The above ratings represent the engine performance capabilities to conditions specified in accordance with ISO 8528/5 & ISO3046.
Derating may be required for conditions outside of the test conditions.

Codes & Standards

The Generator set is designed and manufactured in a facility certified to **ISO9001** standards.

The Generator set is designed and manufactured in a facility certified to **ISO14001:2015** standards.

AKSA Power Generation provides **single source responsibility** for the generator set & accessories.

The generator set, with its components, are **prototype tested** and **production tested** according to the UL test program.

The generator set meets **NFPA70, 99, 110, 37** Level 1 when equipped with the necessary accessories and installed per NFPA standards.



*Manufacturer reserves the right to make changes in model, technical specifications, color, equipment and accessories without prior notice.



Engine Data

Manufacturer	John Deere
Model	6068HF285
Displacement & Cylinders	6.8 L / 6 Cylinders
Engine Type	In-line, 4 Cycle
Engine Speed	1800rpm
Engine Prime Power w/Fan	161kW
Engine Standby Power w/Fan	177kW
Aspiration	Turbocharged
Compression Ratio	19.0 : 1
Bore / Stroke	106 mm / 127 mm
Governor type	Electronic
Engine crankcase vent system	Open
Fan Power	9.8kW
BMEP, Standby Power	1726 kPa
Friction Power	17kW
Designed / Calibrated to Meet	EPA Tier 3

Fuel System

ECU Description	L16 Controller
Max Fuel Inlet Temp.	176 °F
Total Fuel Flow	201 lb/hr

Fuel Consumption

Standby Power (100%)	11.80 gal/h
Standby Power (75%)	9.38 gal/h
Standby Power (50%)	6.88 gal/h
Standby Power (25%)	3.42 gal/h

Electric System

System Voltage	12V
Min Voltage at ECU during crank	6V
Battery Qty, Rating	1 x 80Ah

Cooling System

Radiator Cooling System Type	Closed Circuit
Radiator Ambient Temp	> 50 °C
Coolant Capacity, Engine Only	13 quart
Max Top Tank Temp	230 °F
Thermostat, Start – Fully Open	180– 203 °F

Exhaust System

Exhaust Temperature	981 °F
Max Allowable Exhaust Restriction	7.5 kPa
Exhaust Gas Flow	1158 ft ³ /min

Air Intake System

Engine Air Flow	448 ft ³ /min
Max Intake Air Restriction (Clean Element)	3.75 kPa
Air Filter Type	Dry Paper Element

Lubrication System

Oil Pressure at Rated Speed	300 kPa
Oil Pressure at low idle	105 kPa
Max Oil Carryover in Blow-by	0.002 lb/hr
Max Crankcase Pressure	0.5 kPa



Alternator Data

Manufacturer	Stamford
Standards	BS EN 60034
Control System	PMG
A.V.R.	MX341
Voltage Regulation	± 1 %
Insulation System	Class H
Protection	IP23
Rated Power Factor	0.8
Stator Winding	Double Layer Concentric
Winding Pitch	Two Thirds
Winding Leads	12
Telephone Interference	THF < 2 %
Waveform Distortion	No Load < 1.5 %
Maximum Over speed	2250 rev/min

Battery Charger & Electrical System Data

Manufacturer	ComAp
Model	InteliCharger
Input Voltage	85V ~ 264V AC
Output Voltage / Current	13.8V Float / 4A pk

Jacket Water Heater Data

Manufacturer	Hotstart
Model	TPS151GT10-000
Input Voltage	120V
Power	1500W

Controller Data

Manufacturer	DSE
Model	7320 MK II

Controller Features & Benefits

- Microprocessor controlled, UL & NFPA110 Compatible
- License free PC Software (Non-proprietary Software)
- IP65 rating offers increased resistance to water ingress
- Modules can be integrated to building management systems
- Real time clock provides accurate event log
- Four line back-lit LCD text display
- Five key menu navigation, two wire start/stop at Auto mode
- Front panel editing with PIN protection
- Support up to three remote display modules
- Configurable timers and alarms
- Multiple date and timer scheduler
- Integral PLC editor
- 'Protections disabled' feature
- Load switching (load shedding and dummy load outputs)
- Fully configurable via DSE Configuration Suite PC Software
- SCADA monitoring via DSE Configuration Suite PC Software

Protection

- ✓ Gen. Voltage – under / over
- ✓ Gen. Freq. – under / over
- ✓ Engine Speed – under / over
- ✓ Engine Oil Pressure – low
- ✓ Engine Temp – low / high
- ✓ Battery Voltage – low / high
- ✓ Weak Battery
- ✓ Fail to Start / Stop
- ✓ Charge Alternator Fail
- ✓ Over Current & Load (kW/kVAr)
- ✓ Unbalanced Load
- ✓ Independent Earth Fault
- ✓ Reverse Power
- ✓ Loss of Speed Signal

Instruments

- ✓ Gen. Voltage (L-L/L-N)
- ✓ Gen. Frequency
- ✓ Engine speed
- ✓ Oil Pressure
- ✓ Water Temperature
- ✓ Battery Voltage
- ✓ Run Time
- ✓ Phase Sequence
- ✓ Power monitoring (kWh/kVAh/kVArh)
- ✓ Power (kWh/kVAh/kVArh)
- ✓ Power Factor
- ✓ Generator Current
- ✓ Generator Load (%)
- ✓ Earth Current



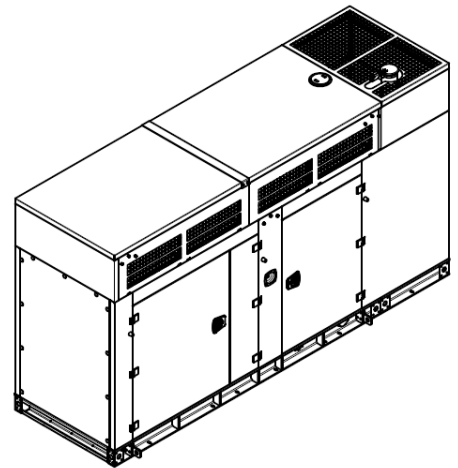
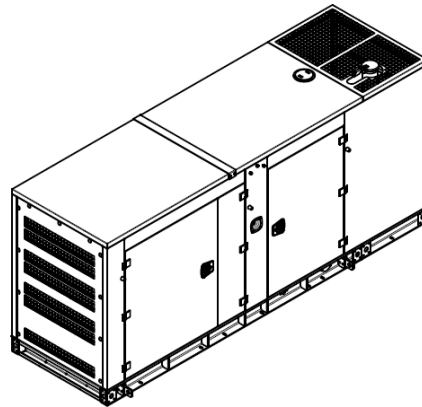
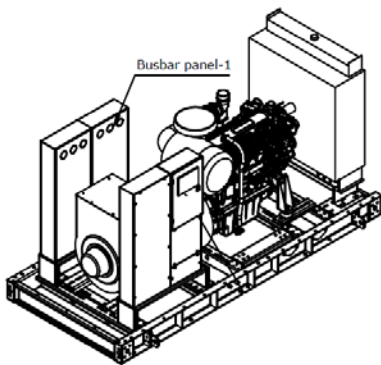
Enclosure Features

- ✓ Heavy Duty Steel / Aluminum Structure
- ✓ E-Stop on Enclosure
- ✓ Control Panel Eliminated from Engine Vibrations
- ✓ Standard Sound Attenuation Foam
- ✓ Plastic Covered Corrosion Resistant Locks & Hinges

Enclosure Features

- ✓ Internally Mounted Exhaust System with Rain Cap
- ✓ Coolant Fill Cap
- ✓ Removable Base Frame Lifting Hooks
- ✓ Oil & Coolant Drain Ports
- ✓ Easy Access for Maintenance

Open Skid Gen		Level 1 Enclosure		Level 2 Enclosure	
Length	115.7 in	Length	146 in	Length	146 in
Width w/o lift hooks	43.3 in	Width w/o lift hooks	45.8 in	Width w/o lift hooks	45.8 in
Height	53.5 in	Height	66.4 in	Height	82.2 in
Dry Weight	3985 lb	Dry Weight	5505 lb	Dry Weight	5880 lb
		Sound Pressure @ 7 meters	70 dB(A)	Sound Pressure @ 7 meters	67 dB(A)



Fuel Tank - UL142 Listed Base Design

Size	24hr (275gal)	48hr (500gal)	72hr (850gal)
Dimensions (L/W/H) (in)	160 / 43.3 / 16.5	160 / 43.3 / 28	198 / 43 / 36
Weight (lb)	1530	2050	2780

*Manufacturer reserves the right to make changes in model, technical specifications, color, equipment and accessories without prior notice.

**Standard Features & Accessories**

- ✓ UL2200 Certification
- ✓ Heavy Duty Steel Base Frame
- ✓ PMG w/MX341 AVR
- ✓ Engine Jacket Water Heater
- ✓ Battery and Battery Rack
- ✓ Battery Charger
- ✓ Anti Vibration Pads between Engine/Alternator & Base Frame
- ✓ Critical Grade Silencer Inside Enclosure
- ✓ Residential Grade Silencer Set for Open Skid Sets
- ✓ Exhaust outlet rain cap and radiator fill cap
- ✓ Sound Absorb Foam Material for Enclosure
- ✓ Emergency Stop Button
- ✓ Oil Drain Valve
- ✓ Coolant Drain Valve
- ✓ Jacket Water Heater Isolation Valves
- ✓ Flex Fuel Lines
- ✓ Air Filter Restriction Gauge
- ✓ Engine Manifold Cover
- ✓ Turbocharger Cover
- ✓ Protection Covers for Rotating Parts
- ✓ Exhaust Insulation Cover
- ✓ Enclosure DC Light
- ✓ Operations Manual
- ✓ 24 Months / 2000 hours Limited Standby Warranty

Optional Accessories

- Main Line CB (3 / 4 Poles – 80% / 100% rated)
- Upsize Alternator
- Voltage Regulation $\pm 0.5\%$ w/MX321 AVR
- Anti-condensation Heater
- Sub Base Fuel Tank (UL142 / UL2085)
- Fuel Level Display & Alarm on Controller
- Low / High Fuel Alarms
- Fuel Water Separator Filter
- Auto Fuel Fill Control System
- Oil Temperature Display on Controller
- Manual Speed Adjust Rheostat
- Manual Voltage Adjust Rheostat
- Remote Annunciator Panel
- Remote Control & Monitoring Panel
- Advanced SMS Messaging
- Control Panel Heater
- Battery Disconnect Switch
- Battery Heater
- Battery Charger 10/20 Amp
- Shunt Trip / Aux Contacts
- Spring Anti-vibration Isolators
- Automatic Transfer Panel (ATS)
- 5 Years / 2000 hours Limited Comprehensive Warranty

AKSA POWER GENERATION USA LLC

371 Exchange Street, West Monroe,
Louisiana, 71292

Tel: 318.855.8377 Fax: 318.855.8381

E-mail: sales@aksausa.com

AKSA Power Generation USA is a member of

**KAZANCI HOLDING****DISTRIBUTED BY:**